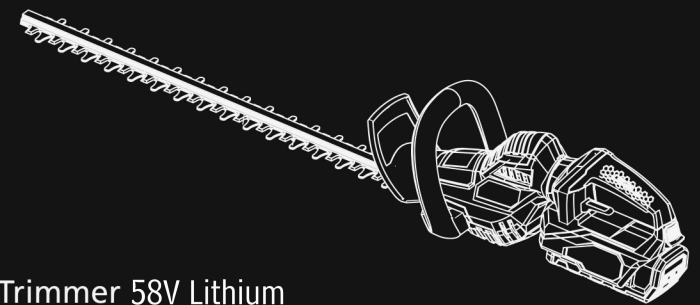


LawnMaster

HEDGE TRIMMER

LawnMaster



Cordless Hedge Trimmer 58V Lithium



READ FIRST BEFORE USE!

LawnMaster Lithium Battery Instructions

1. Battery must be fully charged before initial use.
2. Never let the battery discharge below 15% - discharging below 15% may cause damage to the battery.
3. Do not continue use if machine stops - fully recharge battery first if below 15%. If above 15% assess tool for potential obstructions.
4. We recommend to fully recharge the battery immediately after every use.
5. Do not store for a long period without fully recharging battery.
6. Check battery temperature (press button twice for temperature). If above 50°C let battery rest and cool.

* * *

Lithium batteries do not need to be fully discharged before recharging.

GUARANTEE

This product has a 3 years guarantee. This guarantee covers damages and bad function, only if the product has not been misused and all the instructions has been correctly followed.

In order to prove guarantee a receipt must be presented. The product has to be complete and have all its parts.

The guarantee do not cover wear, lack of maintenance, negligence, incorrect assembly and inappropriate usage (blows, disrespect to power supply, storage, using conditions, etc).

Warranty is also void it has been aadapted or modified in anyway.

TRANSPORTING LITHIUM BATTERIES

Transport the battery in accordance with local and national provisions and regulations.

Follow all special requirements on packaging and labelling when transporting batteries by a third party. Ensure that no batteries can come in contact with other batteries or conductive materials while in transport by protecting exposed connectors with insulating, non-conductive caps or tape. Do not transport batteries that are cracked or leaking. Check with the forwarding company for further advice.



WARNING

Not intended for use other than what's listed above.

RECYCLING AND DISPOSING

When you decide to get rid of the machine, make sure to follow the local regulation. The batteries used in this mower's battery pack contain the following toxic and corrosive material: LITHIUM-ION.



WARNING

Toxic materials must be disposed of in a specified manner in order to prevent contamination of the environment. Before disposing of damaged or worn out Lithium-Ion battery packs, contact your local waste disposal agency for information and specific instructions. Take the battery to a local recycling and/or disposal centre that is certified for disposal. If the battery pack cracks or breaks, whether it leaks or not, do not recharge it and do not use it. Dispose of it and replace it with a new battery pack. **DO NOT ATTEMPT TO REPAIR IT!**

Follow these instructions in order to avoid injury and the risk of fire, explosion, or electric shock, and to avoid damage to the environment:

- Cover the battery's terminals with heavy-duty adhesive tape.
- Do not attempt to remove or destroy any of the components of the battery pack.
- Do not attempt to open the battery pack.
- If a leak develops, the electrolytes that are released are corrosive and toxic. Do not get the solution in the eyes or on the skin, and do not swallow it.
- Do not place batteries in regular household trash.
- DO NOT incinerate batteries.
- DO NOT place batteries where they will become part of any waste landfill or municipal solid waste stream.
- Dispose of batteries at a certified recycling or disposal center.

Package materials are recyclables. Please, throw them away on the appropriate trash can.

INDEX

INTRODUCTION	4
SAFETY RULES AND PRECAUTIONS	4
GENERAL SAFETY RULES	5
WORK AREA SAFETY	5
ELECTRICAL SAFETY	5
PERSONAL SAFETY	5
POWER TOOL USE AND CARE	6
BATTERY TOOL USE AND CARE	6
SERVICE	6
HEDGE TRIMMER SAFETY WARNINGS	7
READ ALL INSTRUCTIONS BEFORE OPERATING WHILE OPERATING	8
WARNING SYMBOLS	10
PRODUCT DESCRIPTION	11
DETAILED DESCRIPTION OF THE PRODUCT	11
TECHNICAL DATA	12
VIBRATION LEVEL	13
ASSEMBLY	14
UNPACKING	14
PACKING LIST	14
INSTALLING BATTERY PACK	15
REMOVING BATTERY PACK	15
USING THE PRODUCT	16
STARTING THE HEDGE TRIMMER	16
STOPPING THE HEDGE TRIMMER	16
ROTATING THE REAR HANDLE	16
BLOCK RELEASE GEAR BOX	17
OPERATING TIPS	17
BATTERY AND CHARGER	18
MAINTENANCE AND REPAIR	19
BLADE MAINTENANCE HEDGE TRIMMER WARNING	19
BLADE CARE	19
TO LUBRICATE BLADE	19
SHARPENING BLADE	20
HEDGE TRIMMER LUBRICATION	20
CLEANING THE HEDGE TRIMMER	20
STORING	21
TRANSPORTING LITHIUM BATTERIES	22
RECYCLING AND DISPOSING	22
GUARANTEE	23

INTRODUCTION

Thank you for choosing this LawnMaster product. We are sure you shall appreciate the quality and performance of this machine, which will facilitate your task for a long period of time.

Remember that you can contact our Technical Support for any queries regarding assembly and maintenance, as well as for the resolution to any problems that may arise, and for the purchase of spare parts and/or accessories.



WARNING

Please read these Operating Instructions carefully as well as the safety precautions before using your device. Failure to do so could result in an electric fault, fire hazard and/or in personal injury. The manufacturer will not take responsibility for accidents or injuries caused to the user, third parties or objects as a result of not following the instructions in the user manual.



WARNING

Only cut hedges. Do not use this machine for other uses for which the machine has not been designed to carry out. For example: do not use this machine to cut plastic parts, bricks or construction materials. Do not use this machine to move objects. The usage of this machine for jobs other than those for which the machine has been designed, could lead to dangerous situations.

This machine is not intended for professional use.

Keep this user manual safe for future reference. Should you sell this machine in the future, please remember to hand it to the new owner.

SAFETY RULES AND PRECAUTIONS

The aim of the following warning signs and their meaning is to explain the levels of risk related to this product.

SYMBOL	SIGN	MEANING
	WARNING	It indicates a dangerous situation where you need to pay full attention to avoid any kind of personal injuries or damage to the device.
	NOTICE	It indicates useful information which can facilitate your task.



WARNING

Please read all safety warnings and instructions. Not doing so may result in electrical shocks, fire, or in severe personal injuries.

STORING

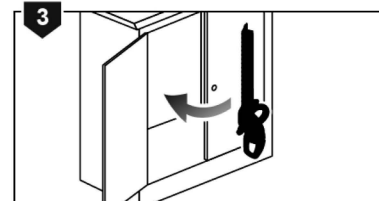
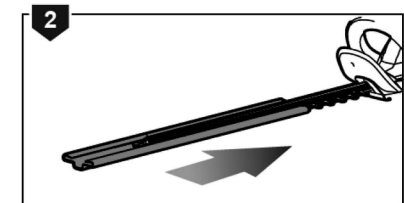
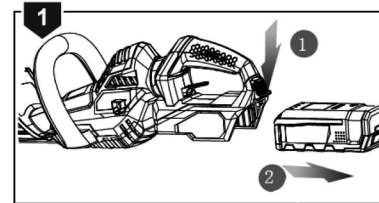
Clean the hedge trimmer thoroughly before storing. Store the hedge trimmer in a dry, well-ventilated place that is inaccessible to children. Keep away from corrosive agents such as garden chemicals and de-icing salts.

Always place blade cover on cutting blades before storing.

Store and charge your batteries below in a cool area. Temperatures above or below normal room temperature will shorten battery pack life.

Never store batteries in a discharged condition. Wait for battery pack to cool and fully charge immediately. Store the battery pack where the temperature is below 27°C, and away from moisture.

All batteries gradually lose their charge. The higher the temperature, the quicker they lose their charge. If you store your unit for long periods of time without using it, recharge the batteries every month or two. This practice will prolong battery pack life.



SHARPENING BLADE

Allow the blades of the hedge trimmer to come to a stop in the position. This will allow clearance for the file between cutter teeth and guard teeth.

Remove battery pack from hedge trimmer. Clamp blade assembly in a vice and file the exposed cutting surface of each blade tooth with an 203 mm(8 inch) smooth round file, 6.4 mm (1/4 inch) or 5.6mm (7/32 inch) diameter. Be sure to retain the original angle of tooth when filing.

Remove the hedge trimmer from the vice, replace battery pack and restart the hedge trimmer. Allow the blades of the hedge trimmer to come to a stop so that the unsharpened edges of the cutter blade teeth are exposed.

Remove battery pack from hedge trimmer and repeat the sharpening procedure as described above.

HEDGE TRIMMER LUBRICATION

All of the bearings in this tool are lubricated with a sufficient amount of high-grade lubricant for the life of the unit under normal operating procedures. Therefore, no further lubrication is required.



WARNING

Do not attempt to modify this unit or create or mount any accessory not specifically recommended in this manual for use with this hedge trimmer. Any such alteration or modification is misuse and could result in a hazardous condition leading to possible serious personal injury.



WARNING

Examine hedge trimmer frequently to assure all parts are unbroken and securely attached. Make sure all screws and fasteners are securely tightened to prevent the risk of serious personal injury.

CLEANING THE HEDGE TRIMMER



WARNING

To prevent serious personal injury, remove the battery pack before servicing, cleaning, or removing material from the unit.

Remove the battery pack. Clean the unit using a damp cloth with a mild detergent. Do not use any strong detergents on the plastic housing or the handle. They can be damaged by certain aromatic oils such as pine and lemon, and by solvents such as kerosene.

Moisture can cause a shock hazard. Wipe off any moisture with a soft dry cloth. Use a small brush or the air discharge of a small vacuum cleaner brush to clean the air vents on the battery pack housing and motor housing. Keep the air vents free of obstructions.

GENERAL SAFETY RULES



WARNING

Read all safety warnings and all instructions. Failure to follow the warnings and instructions may result in electric shock, fire or/and serious injury. Save all warnings and instructions for future reference. The term "power tool" in the warnings refers to your mains-operated (corded) power tool or battery-operated (cordless) power tool.

WORK AREA SAFETY

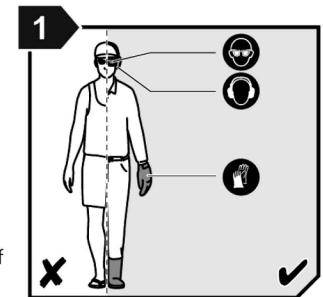
Keep work area clean and well lit. Cluttered or dark areas invite accidents. Do not operate power tools in explosive atmospheres, such as in the presence of flammable liquids, gases or dust. Power tools create sparks which may ignite the dust or fumes. Keep children and bystanders away while operating a power tool. Distractions can cause you to lose control.

ELECTRICAL SAFETY

Do not expose power tools to rain or wet conditions. Water entering a power tool will increase the risk of electric shock.

PERSONAL SAFETY

Stay alert, watch what you are doing and use common sense when operating a power tool. Do not use a power tool while you are tired or under the influence of drugs, alcohol or medication. A lapse of attention while operating power tools may result in serious personal injury. Use personal protective equipment. Always wear eye protection. Protective equipment such as dust mask, gloves, non-skid safety shoes, hard hat or hearing protection used appropriately will reduce personal injuries.



- Prevent unintentional starting: Ensure the switch is in the off position before connecting to power source and/or battery pack and when picking up or carrying the tool. Carrying power tools with your finger on the switch or energizing power tools that have the switch on invites accidents.
- Remove any adjusting key or wrench before turning the power tool on: A wrench or a key left attached to a rotating part of the power tool may result in personal injury.
- Do not over-reach: Keep proper footing and balance at all times. This enables better control of the power tool in unexpected situations.
- Dress properly: Do not wear loose clothing or jewellery. Keep your hair, clothing and gloves away from moving parts. Loose clothes, jewellery or long hair can be caught in moving parts.

POWER TOOL USE AND CARE

1. Do not force the power tool. Use the power tool for the application. The correct power tool will do the job better and safer at the rate for which it was designed.
 2. Do not use the power tool if the switch does not turn it on and off. Any power tool that cannot be controlled with the switch is dangerous and must be repaired.
 3. The battery pack from the power tool before making any adjustments, changing accessories, or storing power tools. Such preventive safety measures reduce the risk of starting the power tool accidentally.
 4. Store idle power tools out of the reach of children and do not allow persons unfamiliar with the power tool or these instructions to operate the power tool. Power tools are dangerous in the hands of untrained users.
- Maintain power tools. Check for misalignment or binding of moving parts, breakage of parts and any other condition that may affect the power tool's operation. If damaged, have the power tool repaired before use. Many accidents are caused by poorly maintained power tools.
 - Keep cutting tools sharp and clean. Properly maintained cutting tools with sharp cutting edges are less likely to bind and are easier to control.
 - Use the power tool, accessories and tool bits etc. in accordance with these instructions, taking into account the working conditions and the work to be performed. Use of the power tool for operations different from those intended could result in a hazardous situation.

BATTERY TOOL USE AND CARE

- Ensure the switch is in the off position before inserting battery pack. Inserting the battery pack into power tools that have the switch on invites accidents.
- Recharge only with the charger specified by the manufacturer. A charger that is suitable for one type of battery pack may create a risk of fire when used with another battery pack.
- Use power tools only with specifically designated battery packs. Use of any other battery packs may create a risk of injury and fire.
- When battery pack is not in use, keep it away from other metal objects like paper clips, coins, keys, nails, screws, or other small metal objects that can make a connection from one terminal to another.
- Shorting the battery terminals together may cause burns or fire.
- Under abusive conditions, liquid may be ejected from the battery; avoid contact. If contact accidentally occurs, flush with plenty of soap and water. If liquid contacts eyes, immediately seek medical help. Liquid ejected from the battery may cause irritation or burns.

SERVICE

Have your power tool serviced by a qualified repair person using only identical replacement parts. This will ensure that the safety of the power tool is maintained.

MAINTENANCE AND REPAIR

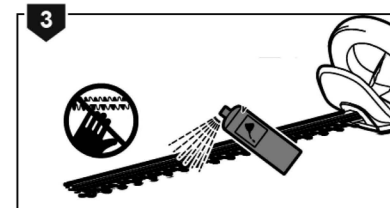
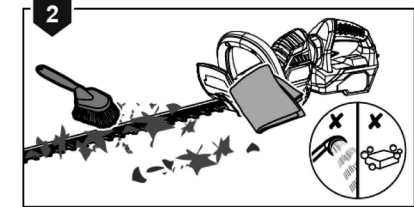
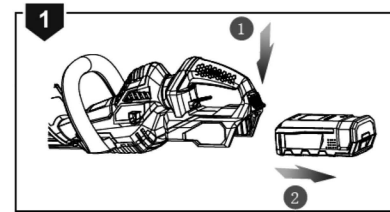
BLADE MAINTENANCE HEDGE TRIMMER WARNING

Battery units do not have to be plugged into an electrical outlet; therefore, they are always in operating condition. To prevent serious personal injury, always remove the battery and take extra precautions and care when performing maintenance, service or for changing the cutting blade.



WARNING

To prevent serious personal injury, remove the battery pack before servicing, cleaning, or removing material from the unit.



BLADE CARE

Lubricate the cutting blades after each use. Periodically inspect the blades for damage and wear. Always use the manufacturer's specified replacement blades.

TO LUBRICATE BLADE

For easier operation and longer blade life, lubricate the hedge trimmer blade before and after each use. Before lubricating, remove the battery pack and lay hedge trimmer on a flat surface. Apply light weight machine oil along the edge of the top blade.

Occasionally, you should oil your hedge trimmer during prolonged use. Before oiling, stop hedge trimmer, remove battery pack, then oil. You then can resume trimming. Do not oil while hedge trimmer is running.

**WARNING**

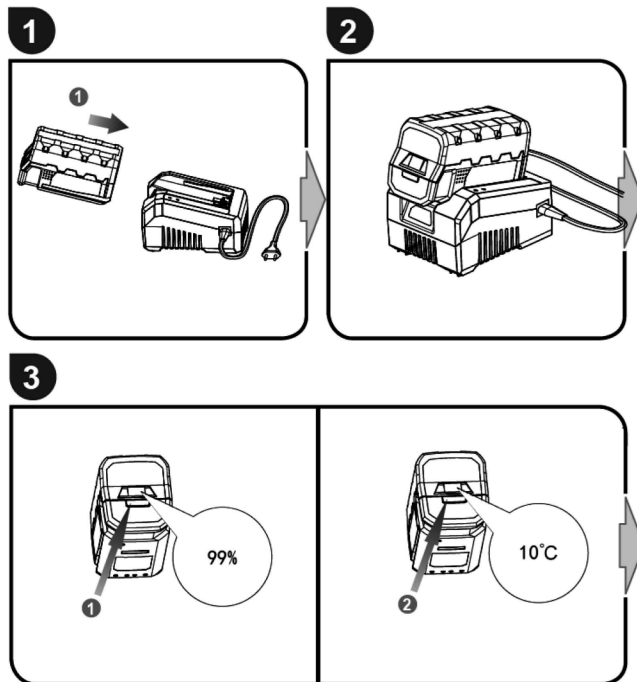
Clear the area to be cut before each use. Remove all objects such as cords, lights, wire, or string which can become entangled in the cutting blade and create a risk of serious personal injury.

**WARNING**

Avoid using solvents when cleaning plastic parts. Most plastics tend to damage from various types of solvents and may be damaged by their use. Use a clean cloth to remove dirt, oil, grease, etc.
When servicing use only identical GREENCUT replacement parts. Use of any other parts can create a hazard or cause product damage.

**WARNING**

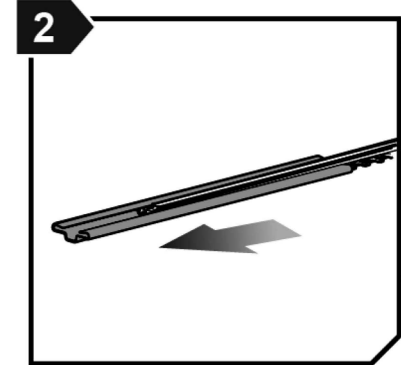
Do not at any time let brake fluids, gasoline, petroleum based products, penetrating oils, etc., come in contact with plastic parts. They contain chemicals that may damage, weaken, or destroy plastics.

BATTERY AND CHARGER**HEDGE TRIMMER SAFETY WARNINGS**

Keep all parts of the body away from the cutter blade. Do not remove cut material or hold material to be cut when blades are moving. Make sure the switch is off when clearing jammed material. A moment of inattention while operating the hedge trimmer may result in serious personal injury.

Carry the hedge trimmer by the handle with the cutter blade stopped. When transporting or storing the hedge trimmer always fit the cutting device cover. Proper handling of the hedge trimmer will reduce possible personal injury from the cutter blades.

Hold the power tool by insulated gripping surfaces only, because the cutter blade may contact hidden wiring. Cutter blades contacting a "live" wire may make exposed metal parts of the power tool "live" and could give the operator an electric shock.

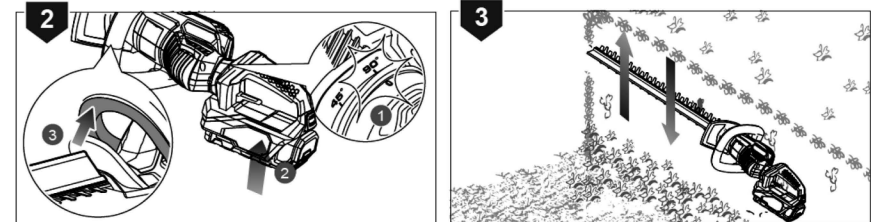
**READ ALL INSTRUCTIONS BEFORE OPERATING**

- Read the instructions carefully. Be familiar with the controls and proper use of the unit. Do not operate this unit when tired, ill, or under the influence of alcohol, drugs, or medication.
- Inspect the unit before use. Replace damaged parts. Check for battery pack leaks.
- Make sure all fasteners and guards are in place and secure. Replace cutting blades or any other parts that are cracked, chipped, or damaged. Make sure the cutting blade is properly installed and securely fastened. Failure to do so can result in personal injury to the operator and bystanders, as well as damage to the unit.
- Use the right tool. Only use this hedge trimmer for the purpose intended.
- Do not use hedge trimmer if switch will not turn the unit on or off. A unit that cannot be controlled with the switch is dangerous and must be repaired.
- Clear the area to be cut before each use. Remove all objects such as cords, lights, wire, or string which can become entangled in the cutting blade.
- Clear the area of children, bystanders, and pets. At a minimum, keep all children, bystanders and pets outside a 15m radius; there still may be a risk to bystanders from thrown objects. If you are approached, stop the unit immediately.
- Do not operate power tools in explosive atmospheres, such as in the presence of flammable liquids, gases or dust. Power tools create sparks which may ignite the dust or fumes.
- To avoid the risk of electric shock, do not operate unit in damp or wet locations. Do not handle the unit with wet hands.
- Do not allow children or untrained individuals to use this hedge trimmer.
- To reduce the risk of injury, always wear full eye protection, footwear, goggles and clothing when using this machine.
- Wear a face or dust mask if the operation is dusty.

- Dress properly. Do not wear loose clothing or jewellery; they can be caught in moving parts. Use of rubber gloves, substantial footwear and long trousers is recommended when working outdoors.
- To prevent hair from being drawn into nearby air vents and becoming entangled in moving parts, wear protective hair covering to contain long hair or secure covered hair above shoulder level.
- When transporting or storing the machine always fit with blade cover.
- Always be aware of your surroundings and stay alert for possible hazards that you may not hear due to the noise of the machine.
- Form the habit of checking to see that keys and adjusting wrenches are removed from the tool before turning it on.
- Always ensure all the handles and guards are fitted when using the tool.
- Never attempt to use an incomplete machine or one fitted with an unauthorised modification. The vibration level during actual use of the power tool can differ from the declared total value depending on the ways in which the tool is used.
- It has been reported that vibrations from hand-held tools may contribute to a condition called Raynaud's Syndrome in certain individuals. Symptoms may include tingling, numbness and blanching of the fingers, usually apparent upon exposure to cold. Hereditary factors, exposure to cold and dampness, diet, smoking and work practices are all thought to contribute to the development of these symptoms. It is presently unknown what, if any, vibrations or extent of exposure may contribute to the condition. There are measures that can be taken by the operator to possibly reduce the effects of vibration:
- Keep your body warm in cold weather. When operating the unit wear gloves to keep the hands and wrists warm. It is reported that cold weather is a major factor contributing to Raynaud's Syndrome. Check for alignment of moving parts, binding of Syndrome.
- After each period of operation, exercise to increase blood circulation. Take frequent work breaks. Limit the amount of exposure per day.
- If you experience any of the symptoms of this condition, immediately discontinue use and see your physician about these symptoms.

WHILE OPERATING

- Do not use trimmer without front handle in place. Keep both hands on handles when unit is in use.
- To avoid accidental starting, never carry your unit with your finger on the trigger. Stay alert and pay attention to what you are doing.
- Use common sense when using this hedge trimmer.
- Wear heavy, long pants, substantial footwear and well fitting gloves. Do not wear short pants, sandals or go barefoot.
- Do not operate in poor lighting. Use the unit only in daylight or good artificial light.
- Do not over-reach or stand on unstable support. Keep good footing and balance at all times. Do not use on ladder.
- Do not force the hedge trimmer. It will do the job better and with less likelihood of a risk of injury at the rate for which it was designed.
- Release the trigger, allow the motor to stop, and remove the battery pack before performing maintenance, repair, or making adjustments.



BLOCK RELEASE GEAR BOX

This hedge trimmer is equipped with a block release system. If the blade jams, the blades will automatically retract allowing the jam to be cleared easily. Release the triggers, remove jammed material, then squeeze trigger again to restart the hedge trimmer. If the stem is too dense or too hard to be trimmed, use a pruning saw to clear the stem.

OPERATING TIPS

Do not force the hedge trimmer through heavy shrubbery. This can cause the blades to bind and slow down. If the blades slow down, reduce the pace.

Do not try to cut stems or twigs that are larger than 20mm thick, or those obviously too large to feed into the cutting blade. Use a non-powered hand saw or pruning saw to trim large stems.

If desired, you can use a string to help cut your hedge level. Decide how high you want the hedge. Then stretch a piece of string along the hedge at this height. Trim the hedge just above this guide line of string. Trim the side of a hedge so that it will be slightly narrower at the top. More of the edge will be exposed when shaped this way, and it will be more uniform. If blades do become jammed, stop the motor, allow the blades to stop and remove the battery pack before attempting to remove the obstruction.

Wear gloves when trimming thorny or prickly growth. When trimming new growth, use a wide sweeping action, so that the stems are fed directly into the cutting blade. Older growth will have thicker stems and will be trimmed easiest by using a sawing movement.



WARNING

IF blade jams on any electrical cord or line. DO NOT TOUCH THE BLADE! IT CAN BECOME ELECTRICALLY LIVE AND VERY DANGEROUS.

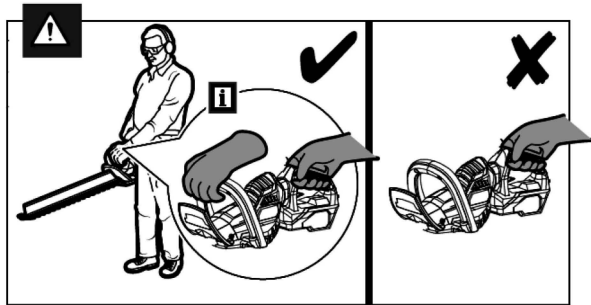
Continue to hold the hedge trimmer by the insulated rear handle or lay it down and away from you in a safe manner. Disconnect the electrical service to the damaged line or cord before attempting to free the blade from the line or cord. Failure to follow this warning will result in serious personal injury or possible death.

USING THE PRODUCT

STARTING THE HEDGE TRIMMER

Remove the blade cover.

For added safety, there is a micro switch in the front handle. When operating, hold the trimmer with both hands, one hand squeeze the trigger, and the other hand to squeeze the front handle.

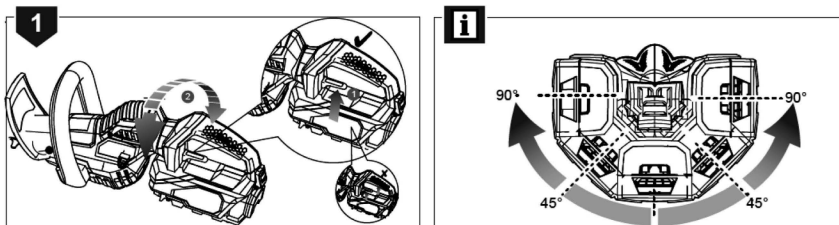


STOPPING THE HEDGE TRIMMER

Release the trigger to stop the hedge trimmer. Remove battery pack from the hedge trimmer.

ROTATING THE REAR HANDLE

The tool rear handle has 5 different operating angle. +/-45degree, +/-90degree and 0degree. To get the desired operating angle, use Left hand hold the front handle and use right hand hold the rear handle without pressing the trigger, pull the level and rotate the rear handle to the desired angle and release the level.



- This hedge trimmer is to be used for cutting hedges, bushes, and shrubs only. Do not use for any other purpose.
- Before starting the unit, make sure the cutting blades will not come in contact with anything. If the machine strikes or becomes entangled with foreign objects, stop the unit immediately, remove the battery pack and check for damage. Do not operate before repairing damage. Do not operate the unit with loose or damaged parts.
- Watch what you are doing. Use common sense.
- Maintain hedge trimmer with care. Keep cutting edge sharp and clean for best performance and to reduce the risk of injury. Follow instructions for lubricating and changing accessories. Keep handles dry, clean, and free from oil and grease.
- Check damaged parts. Before further use of the hedge trimmer, a guard or other part that is damaged should be carefully checked to determine that it will operate properly and perform its intended function. Moving parts, breakage of parts, mounting of parts, and any other condition that may affect its operation. A guard or other part that is damaged should be properly repaired or replaced by an authorized service centre.
- Risk of cut. Keep hands away from blades. Do not attempt to remove cut material or hold material to be cut when blades are moving. Make sure battery pack is removed and the trigger is released when clearing jammed material from blades. Do not grasp the exposed cutting blades or cutting edges when picking up or holding the unit.

CAUTION

Blades continue to move for a short time after unit is turned off.

- Keep hands, face, and feet at a safe distance from moving parts. Do not touch or try to stop the cutting blades when they are moving.
- Always stop the motor when cutting is delayed or when walking from one cutting location to another.
- Keep unit clean of hedge clippings and other materials. They may become lodged in the cutting blades.
- Store the unit inside in a dry place, either locked up or up high to prevent unauthorized use or damage. Keep out of the reach of children or untrained individuals.
- Replace blade cover when unit is not in use.
- Never douse or squirt the unit with water or any other liquid. Keep handles dry, clean and free from debris. Clean after each use, see Storage instructions.
- Be sure to secure the unit while transporting.
- Keep these instructions. Refer to them often and use them to instruct other users. If you loan someone this unit, also loan them these instructions.

WARNING SYMBOLS

The warning icons on labels in this machine and/or in the manual indicate the necessary information for the safe use of the device.

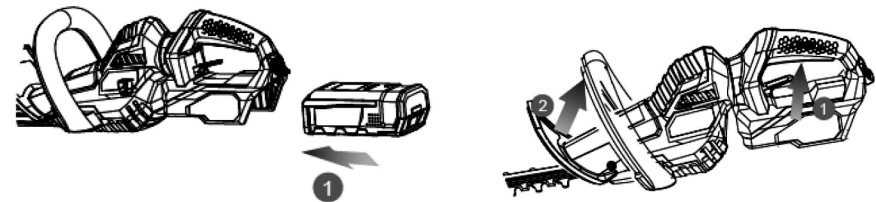
-  Safety alert
-  Please read the instructions carefully before starting the machine.
-  Wear ear protection.
-  Wear eye protection.
-  Always hold the hedge trimmer with both hands when operating.
-  Wear non-slip, heavy duty gloves.
-  To prevent serious injury, do not touch cutting blades.
-  Do not expose to rain or damp condition.
-  Beware of thrown or flying objects. Keep all bystanders, especially children and pets, at least 15m away from the operating area.
-  Waste electrical products should not be disposed of with household waste. Please recycle where facilities exist. Check with your local authority or retailer for recycling advice.
-  Conforms to all regulatory standards in the country in the EU where the product is purchased.
-  The guaranteed sound power level is shown on this label by 96 dB.

INSTALLING BATTERY PACK

NOTE: To avoid serious personal injury, always remove the battery pack and keep hands clear of the lock-out button when carrying or transporting the tool.

Place the battery pack in the hedge trimmer. Align the groove on battery pack with the raised ribs in hedge trimmer.


Make sure the latch on the tool snaps in place of battery slot and that battery pack is secured in hedge trimmer before beginning operation.



REMOVING BATTERY PACK

Pull the battery latch to the battery side and pull out the battery along the raised slide ribs from the hedge trimmer.

Remove battery pack from the hedge trimmer.

-  **WARNING**
When placing battery pack in your hedge trimmer, be sure groove on battery pack aligns with raised ribs in hedge trimmer and latch snaps in place properly. Improper assembly of battery pack can cause damage to internal components.

ASSEMBLY

UNPACKING

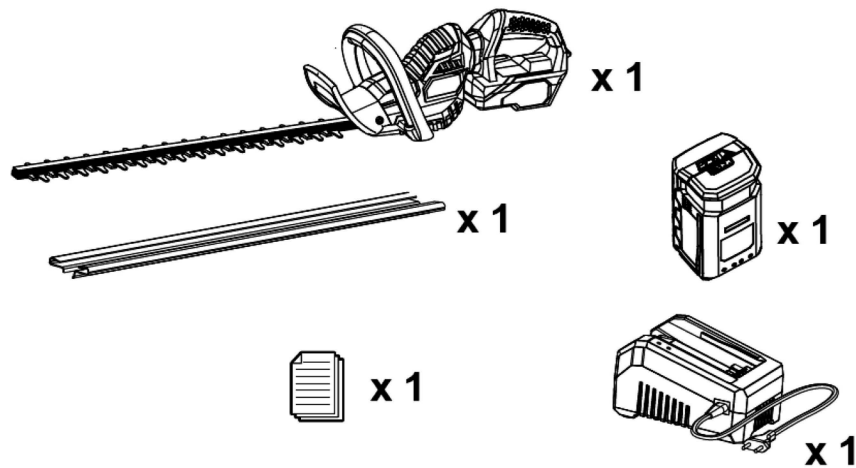
- Carefully remove the product and any accessories from the box. Make sure that all items listed in the packing list are included.
- Inspect the product carefully to make sure no breakage or damage occurred during shipping.
- Do not discard the packing material until you have carefully inspected and satisfactorily operated the product.
- If any parts are damaged or missing, please call dealer for assistance.



WARNING

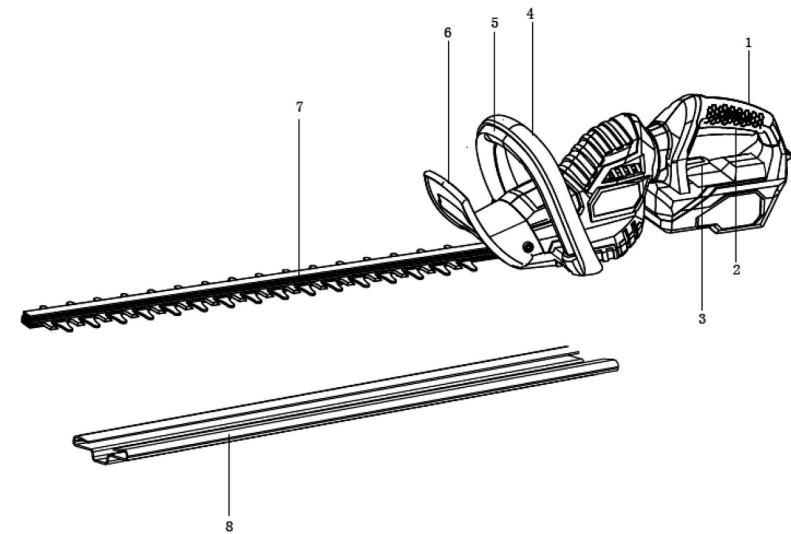
- If any parts are damaged or missing do not operate this product until the parts are replaced. Using a product with damaged or missing parts could result in serious personal injury.
- Do not attempt to modify this product or create accessories not recommended for use with this product. Any such alteration or modification is misuse and could result in a hazardous condition leading to possible serious personal injury.
- Do not insert battery until assembly is complete and you are ready to mow. Failure to comply could result in accidental starting and possible serious personal injury.
- To prevent accidental starting that could cause serious personal injury, always remove the battery from the product when assembling parts.

PACKING LIST



PRODUCT DESCRIPTION

DETAILED DESCRIPTION OF THE PRODUCT



1. Rear handle
2. Trigger
3. Lock button of rotating handle
4. Front handle
5. Front handle trigger

6. Guard
7. Blade
8. Scabbard
9. Battery pack
10. Charger

TECHNICAL DATA

CORDLESS HEDGE TRIMMER	
Model	LB040001
Battery type	58 V DC Lithium-ion
No-load speed	1500 rpm
Stroke rate at no load	3000 spm
Blade length	550 mm
Cutting capacity	30 mm
Vibration total value	<2.5 m/s ²
Uncertainty of measurement	1.5 m/s ²
L _{pA} (sound pressure)	87.0 dB(A)
Uncertainty of measurement (K)	3 dB
L _{WA} (sound power)	96.0dB(A)
Uncertainty of measurement (K)	3 dB
Weight without Battery pack	3.54 Kg

BATTERY AND CHARGER	
Battery Pack	BAT58V-2AH
Weight	0,98 Kg
Charger	CHAR-50HZ
Weight	0,87 Kg
Compatible Battery Pack	BAT58V-2AH, BAT58V-4AH

NOTE: LawnMaster reserves the right to modify the specifications of the device without prior notice.

VIBRATION LEVEL



WARNING

- The declared vibration value has been measured with a standard test method and may be used to compare one tool with another.
- The declared vibration value may be used in a preliminary assessment of exposure.
- The vibration emission during actual use of power tool can differ from the declared total value depending on the ways in which the tool is used.
- Identify safety measures to protect yourself based on an estimation of exposure in the actual conditions of use, taking account of all parts of the operating cycle such as the times when the tool is switched off and when it is running idle in addition to the trigger time.